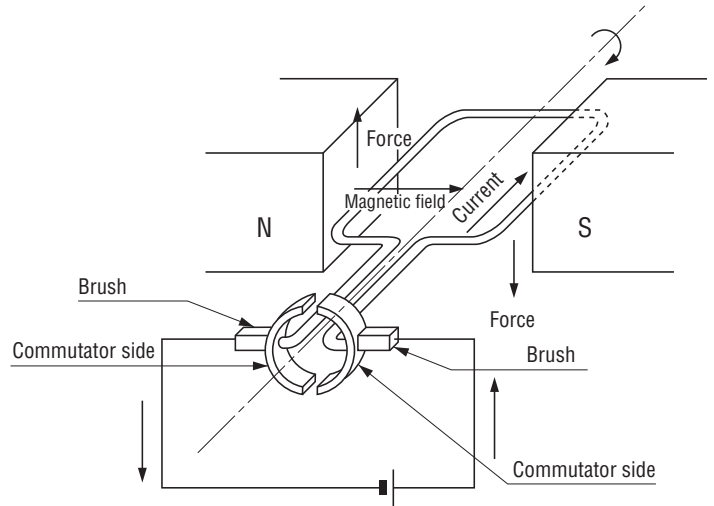
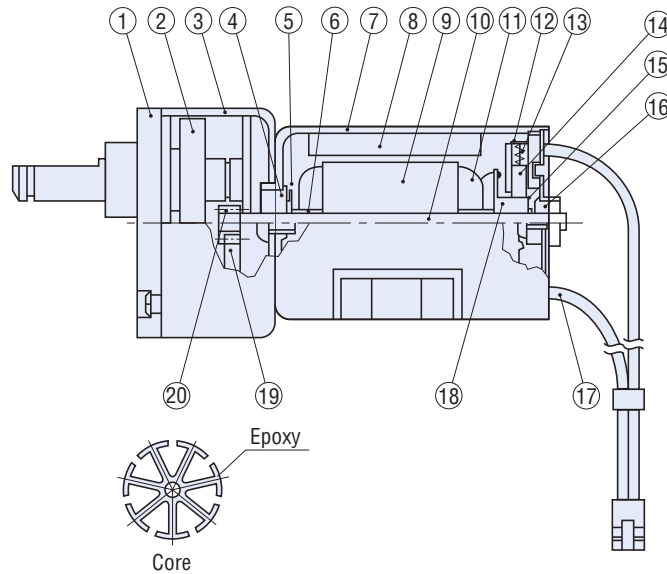


OPERATING PRINCIPLES

The operating explanation is as follows. When an electric current is passed through the rotor through the commutator, because it is in the magnetic field, it rotates. This rotational force is used to perform mechanical work.



BASIC CONSTRUCTIONS



Part name			
①	Flange	⑪	Coil wire
②	Gear block assembly	⑫	Brush holder
③	Gear case	⑬	Brush spring
④	Metal	⑭	Brush
⑤	Washer	⑮	Oil differential
⑥	Sleeve	⑯	Metal
⑦	Case	⑰	Lead wire
⑧	Magnet	⑱	Commutator
⑨	Core	⑲	First stage gear
⑩	Shaft	⑳	Pinion